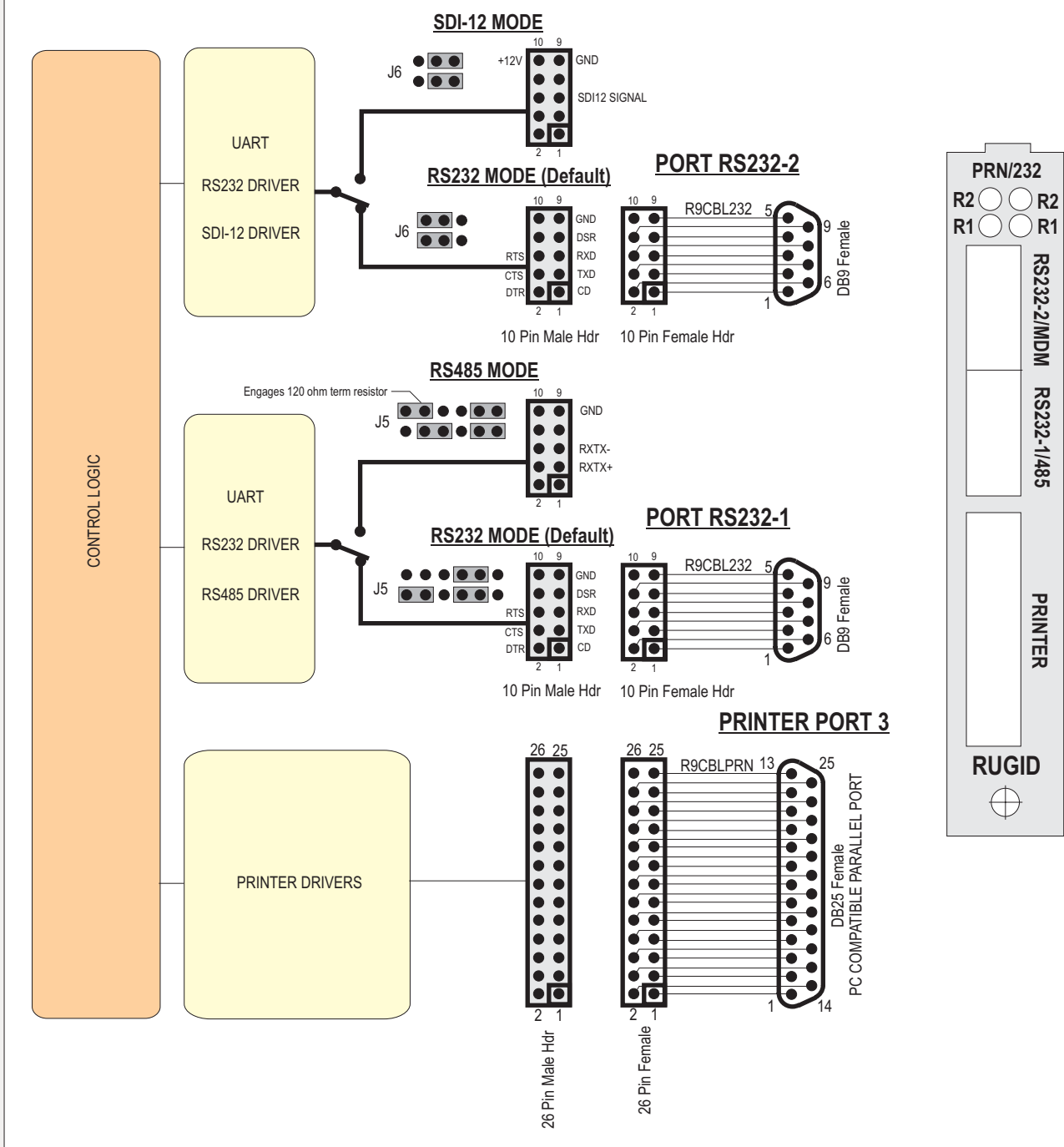


RUG9 PRINTER/DUAL RS232 PORT BOARD BLOCK DIAGRAM



R9 PRINTER	
File: R9BikPrn.CDR	By: DAB
Date: 09/07/07	Rev:
RUGID COMPUTER, Inc. E-mail: info@rugidcomputer.com www.rugidcomputer.com	
6305 Elizan DR NW Olympia, WA 98502 (360) 866-4492 FAX (360) 866-8074	